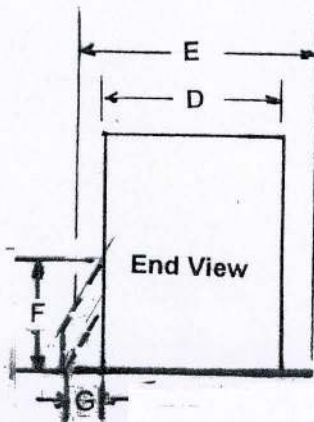
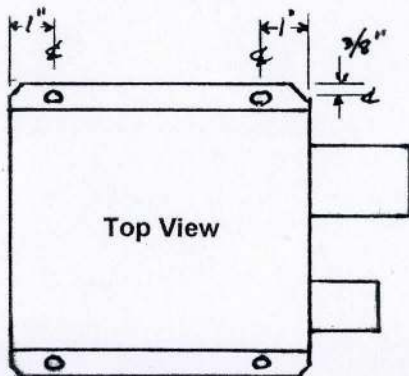


Tank Top Installation
Maximum Cut-out Dimensions

SSP/2 4" wide x 6" long

	SSP/2 or OEP/2	SSV/5 or MWM
Motor:	Permanent Magnet	TENV, 90vdc
Power:	115/1/60	115/1/60 to Speed Control
RPM:	30	1-93
Amps:	0.055 (7 watts)	0.35
Cord:	10' Long, 3 prong	10' Long, 3 prong
Shaft:	1/4" Type 303 SS	5/16" Type 303 SS
Coupling:	Stainless	Stainless
Drive Pulleys:	Glass-Filled Nylon	Glass-Filled Nylon
Lid:	Stainless	Stainless
Sides:	Stainless	Stainless
Ends:	UHMW	UHMW
Outlet:	1.25" PVC	2.25" PVC
Belt:	Polyurethane or SS	Polyurethane or SS
Scraper:	UHMW	UHMW
Trough:	Stainless	Stainless
Tail Pulley:	Stainless	Stainless
Chain:	Stainless	Stainless
Hose:	1.25" Ribbed Poly	2.5" Ribbed Poly

INCHES	SSP/2 or OEP/2	SSV/5 or MWM
A	7	11.75
B	7	7
C	9.75	12.75
D	4	7.75
E	5.5	9.25



SSP/2 Steep Slope Design
F - 3" G - 2"



Not to be reproduced without permission

WAYNE
PRODUCTS

SSP, OEP & MWM SERIES

Dimensions
and
Specifications