

MINI-SKIMMERS™

The Best Coolant Oil Skimmers since 1989!



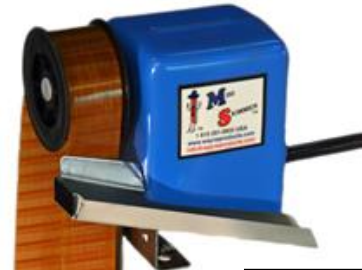
Choice of three belt materials for any application! Tiny – fits anywhere!



Made In the U.S.A.

MINI-SKIMMERS™ have been sold worldwide since 1989 and come in five standard, stocked (same day shipping!) models with three different belt types. ALL **Mini-Skimmers** include:

- Hobbed steel gears for the ultimate in durability.
- Permanent magnet synchronous motors for the highest level of precision.
- Extruded pinion which conforms to AGMA7 level quality- built right where it counts.
- Liquid resistant design for the environments these skimmers need.
- Belt technology proven over 25 years of service.
- Old School Product & Technical Support.



MSB-A & ECB



MSB-B



DBS

All **Mini-Skimmers™** fit onto the Mini-Sep™ gravity separator!

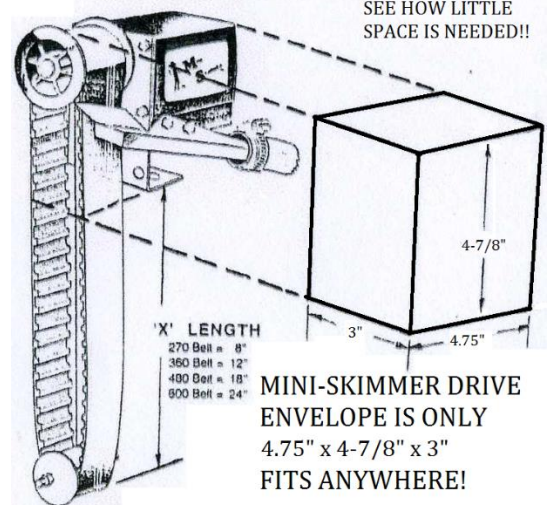
Mini-Skimmers™ use a 115/1/60 motor but are available in 220V 50 or 60Hz & 12/24 VDC. Flat poly belts can be made for up to 20' reaches!

Models MSB-A & ECB use our fiberglass-reinforced, cogged polyurethane belts – the **Mini-Skimmer** original! MSB-A has an accessory pack.

Model MSB-B uses our stainless steel belts, perfect for harsh or caustic environments.

Model DBS uses our economy belts – same proven motor and collection rate.

SKINNI-MINI™, or Model SMB, comes with a cogged poly belt and a tail pulley that fits into a 2" bung hole – perfect for skimming storage drums, reducing transportation and storage costs.



MOST **RELIABLE, LONGEST-LASTING** ON THE MARKET!!
TAIL PULLEY COMES WITH STABILIZER BAR!
ONE YEAR MANUFACTURING WARRANTY!
SAME DAY SHIPPING!!

WAYNE PRODUCTS