

MODEL NAME: MAXI-SKIMMER SSP/2

COLLECTION RATE:

- UP TO 6 GPH

BELT OPTIONS:

- 2" WIDE FLAT POLYURETHANE
- 4" WIDE FLAT POLYURETHANE
- 2" (2.25" ACTUAL) WIDE ST. STEEL
- 4" WIDE ST. STEEL

BELT LENGTHS (REACH):

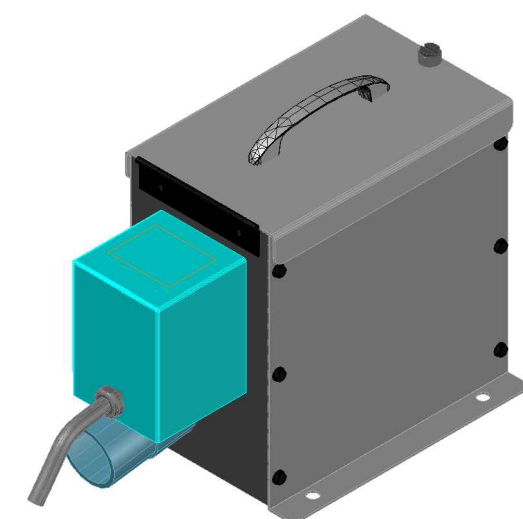
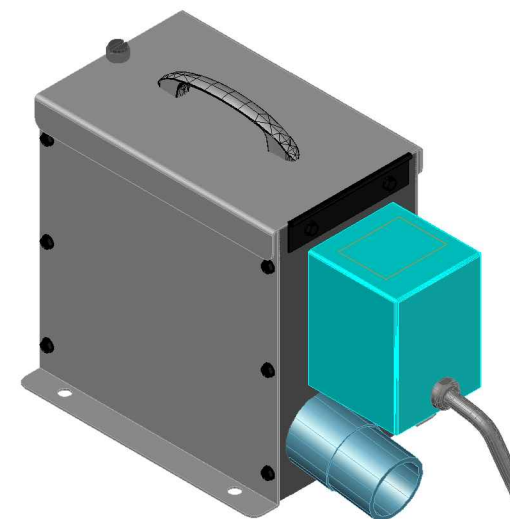
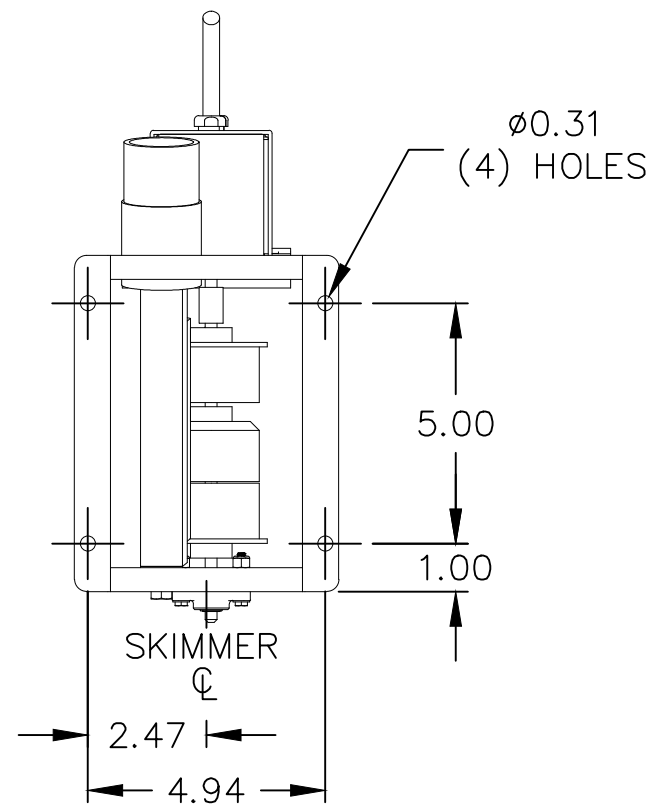
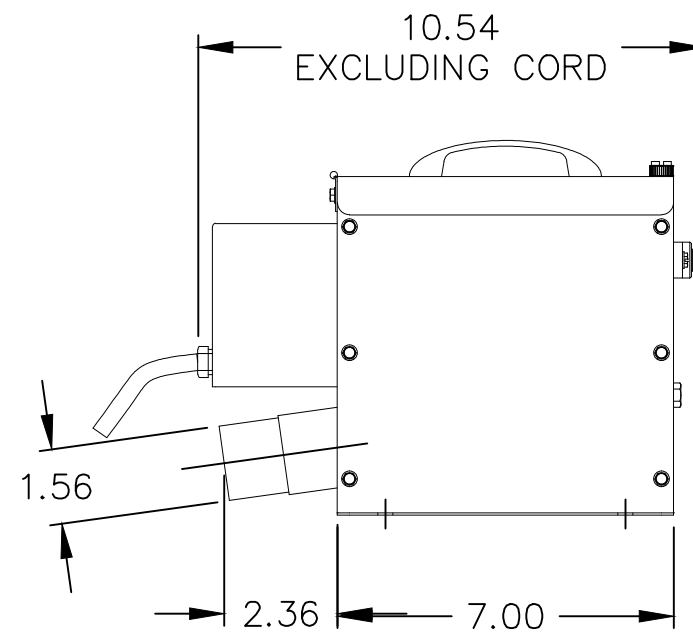
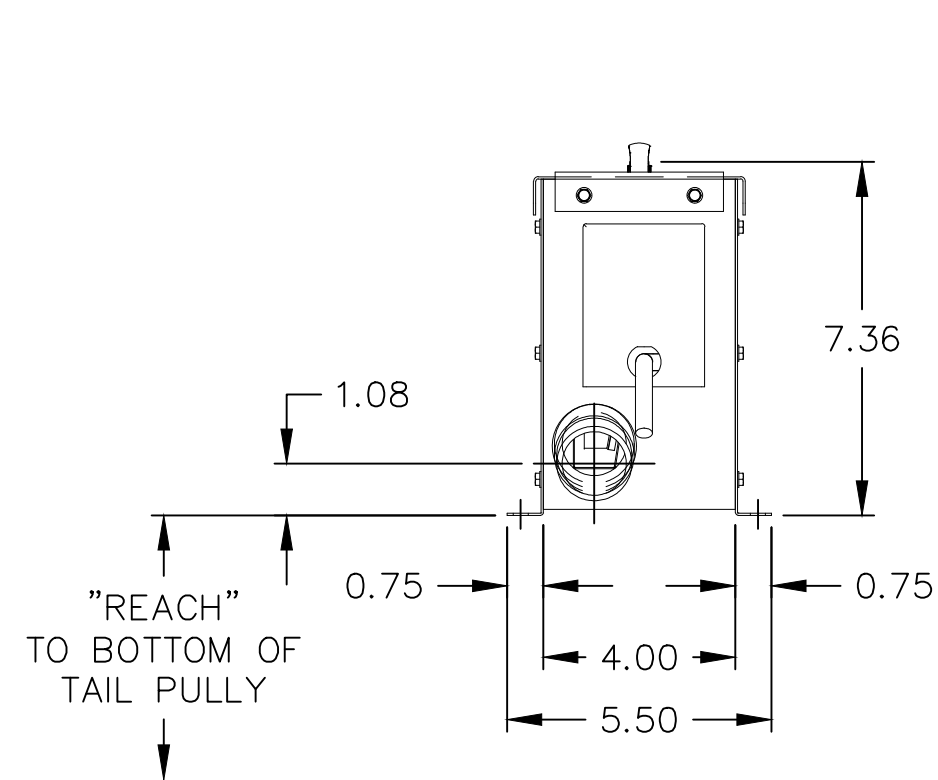
- TYPICALLY AVAIL IN 1 FOOT REACH INCREMENTS
- CUSTOM POLYURETHANE BELTS REACH AVAIL.

POWER REQUIREMENTS:

- 115V/1PH/60Hz
- 220V/1PH/50 OR 60Hz OPTION AVAILABLE
- 10' CORD STANDARD

INCLUDES:

- 3' DISCHARGE HOSE
- TAIL PULLEY
- TAIL PULLEY RETENTION CHAIN



THIS PRINT IS THE PROPERTY OF WAYNE PRODUCTS AND IS TO BE RETURNED IMMEDIATELY UPON DEMAND. THE INFORMATION DIMENSIONS, ETC. ARE CONFIDENTIAL AND ARE NOT TO BE DIVULGED OR SUBMITTED TO OTHERS. VERIFY DIMENSIONS AND SYSTEM LAYOUT ON INSTALLATION DRAWINGS BEFORE STARTING INSTALLATION. DUE TO CONSTRUCTION VARIATIONS, ACTUAL BUILDING DIMENSIONS MAY DIFFER FROM THOSE SHOWN ON DRAWINGS.

WAYNE
PRODUCTS

888 Sussex Blvd. Broomall, PA 19008
Phone: 610-251-0933 Fax: 610-251-0948

Title: MAXI-SKIMMER
30RPM FIXED SPEED

date: 9/1/22	size: B	ckd by: NTS	dwg name: SSP/2	REV: .
drawn by: GRM	scale: NTS		sheet: 0	