

MODEL NAME: MINI-SKIMMER

COLLECTION RATE:

- UP TO 1/4 GPH (10 RPM MOTOR)
- UP TO 1 GPH (30 RPM MOTOR)

BELT OPTIONS:

- 1" WIDE FLAT POLYURETHANE
- 1" WIDE COGGED POLYURETHANE
- 1" WIDE STAINLESS STEEL

POWER REQUIREMENTS:

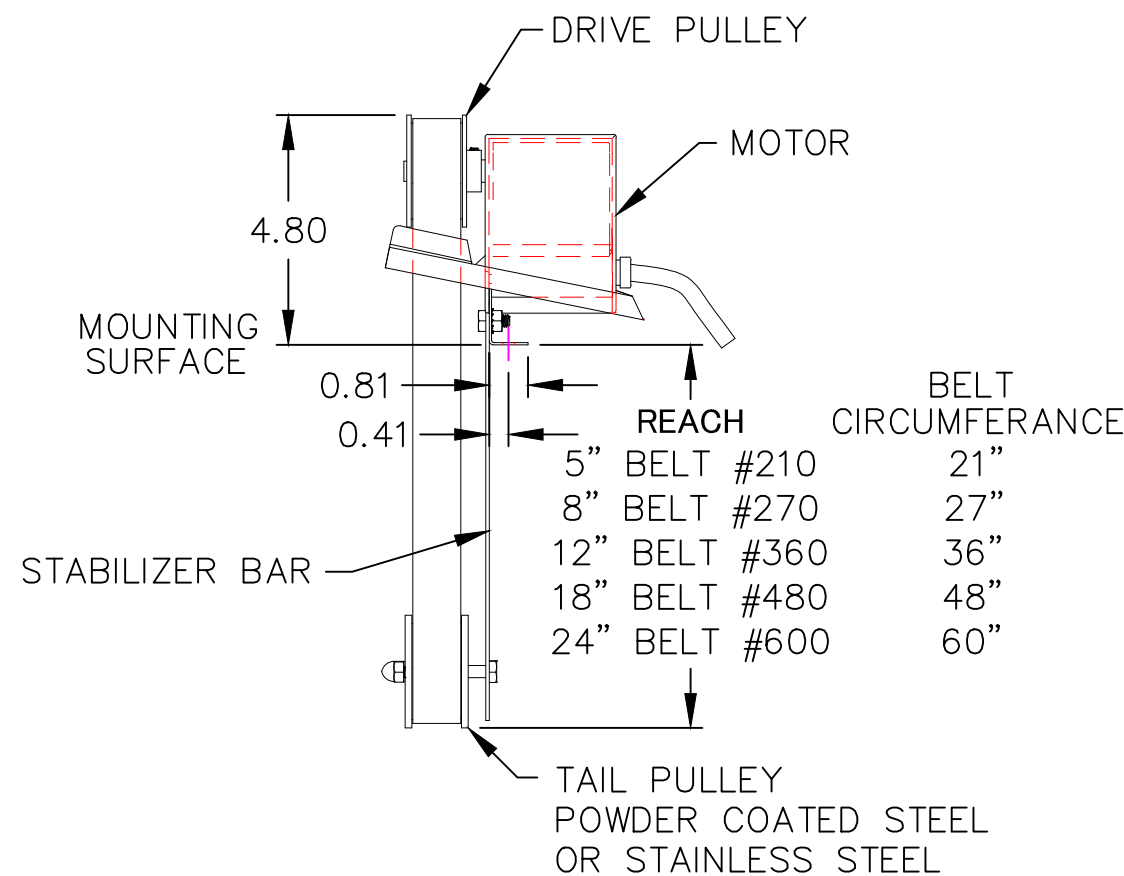
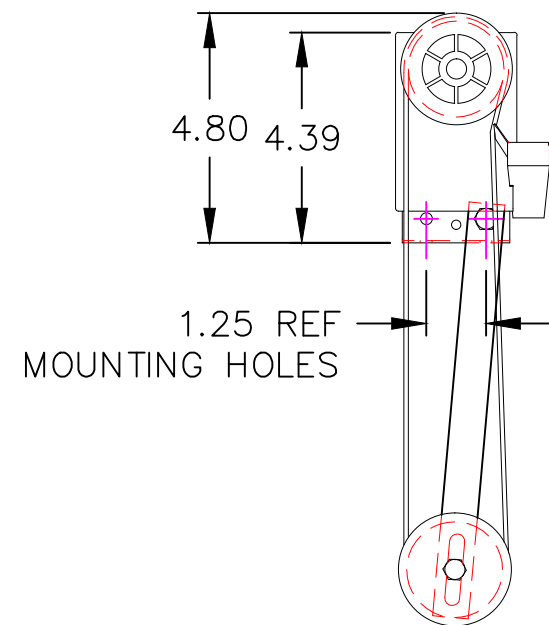
- 115V/1PH/60Hz
- 10' CORD STANDARD

INCLUDES:

- MOUNTING HARDWARE

OPTIONAL ACCESSORY KIT INCLUDES:

- 2' DISCHARGE HOSE
- TIMER
- GROUND FAULT CIRCUIT INTERRUPTER (GFCI)



888 Sussex Blvd. Broomall, PA 19008
Phone: 610-251-0933 Fax: 610-251-0948

Title: MINI-SKIMMER

THIS PRINT IS THE PROPERTY OF WAYNE PRODUCTS AND IS TO BE RETURNED IMMEDIATELY UPON DEMAND. THE INFORMATION DIMENSIONS, ECT., ARE CONFIDENTIAL AND ARE NOT TO BE DIVULGED OR SUBMITTED TO OTHERS. VERIFY DIMENSIONS AND SYSTEM LAYOUT ON INSTALLATION DRAWINGS BEFORE STARTING INSTALLATION. DUE TO CONSTRUCTION VARIATIONS, ACTUAL BUILDING DIMENSIONS MAY DIFFER FROM THOSE SHOWN ON DRAWINGS.

date: 3/20/23
drwn by: GRM

size: B
scale: NTS

ckd by: .
dwg name: MINI-SKIMMER CUT SHEET
sheet: 0

REV: .